

# IASO®

## Better Outside

TECHNICAL DATA SHEET

ENGLISH

AWNING

CASSETTE

POLARIS H



<b>INDEX</b>	—	02	DESCRIPTION
		02	TECHNICAL FEATURES
		02	INSTALLATION
		02	LIGHTING
		03	EXPLODED VIEW
		04	BRACKET DIMENSIONS
		05	EXPLODED VIEW – LIGHTING KIT
		06	OPTIONAL LIGHTING
		07	PROJECTION DIAGRAM
		07	MINIMUM SIZE
		07	PRODUCT CLASSIFICATION
		07	RAINFALL CLASSIFICATION
		08	WIND CLASSIFICATION
		08	MOTOR COMPATIBILITY
		08	MOTOR-TUBE (Ø) COMPATIBILITY
		09	MOTORISATION
		10	ACRYLIC / PLASTIC FABRIC CONFIGURATION
		11	TRANSMITTERS

## DESCRIPTION

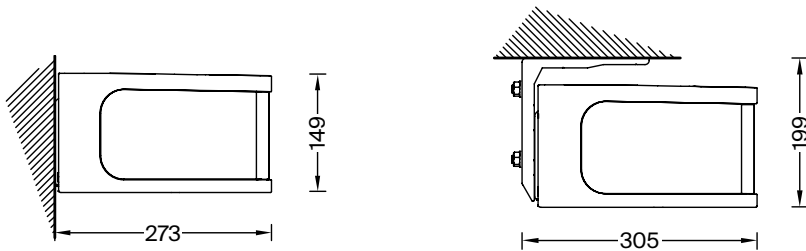
Polaris H is the most distinctive model in the range, designed for those seeking a solution that combines functionality with avant-garde aesthetics. Its structure can incorporate two different colours, creating unique combinations that enhance its design. With a maximum width of 6 metres and a projection of 3.6 metres, Polaris H provides efficient sun shading while transforming terraces and balconies into visually striking spaces.

“Polaris H redefines outdoor creativity with a unique design and the possibility of playing with colour combinations in the structure.”

## TECHNICAL CHARACTERISTICS

- Structure: Aluminium 6063-T5 for the profiles
- Screws and fittings: AISI 304 stainless and galvanized steel

## INSTALLATION



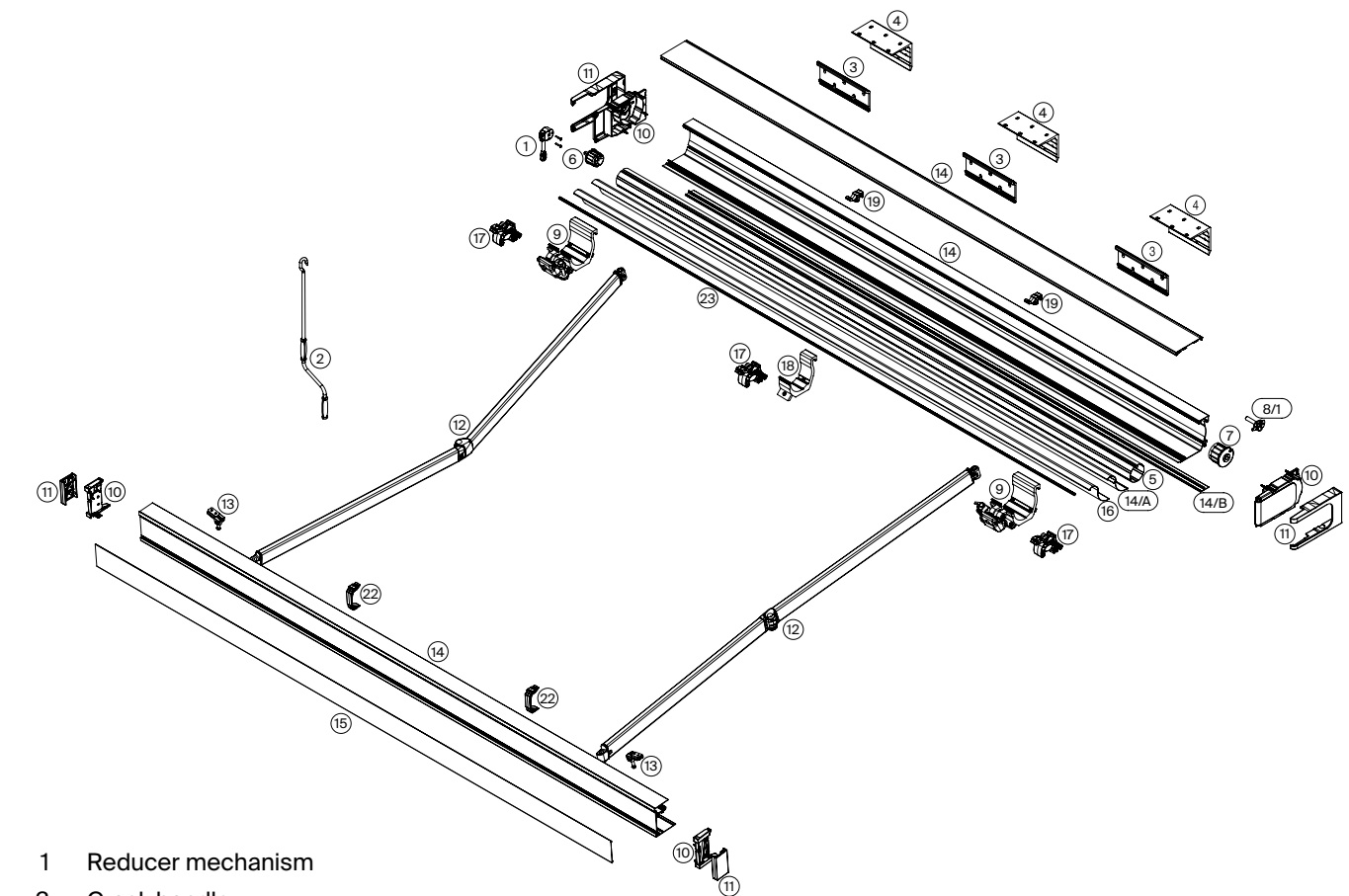
Wall installation

Ceiling installation

## LIGHTING

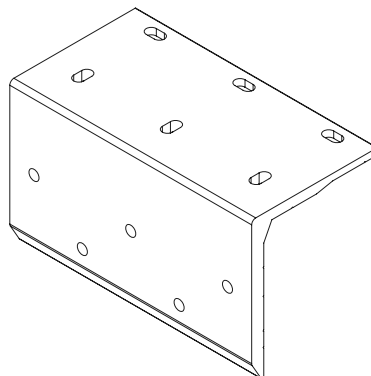
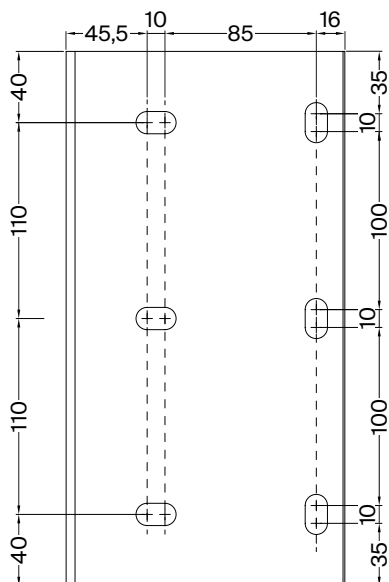
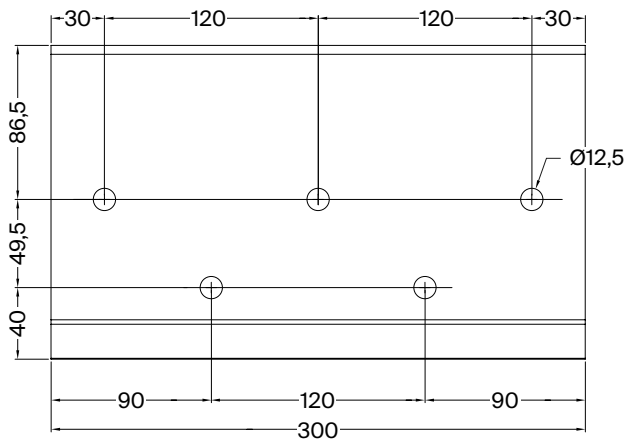
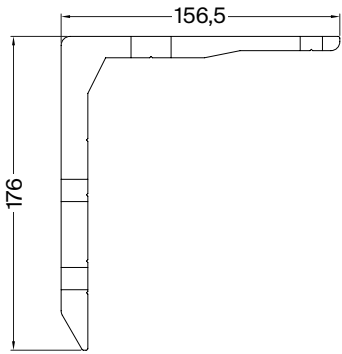
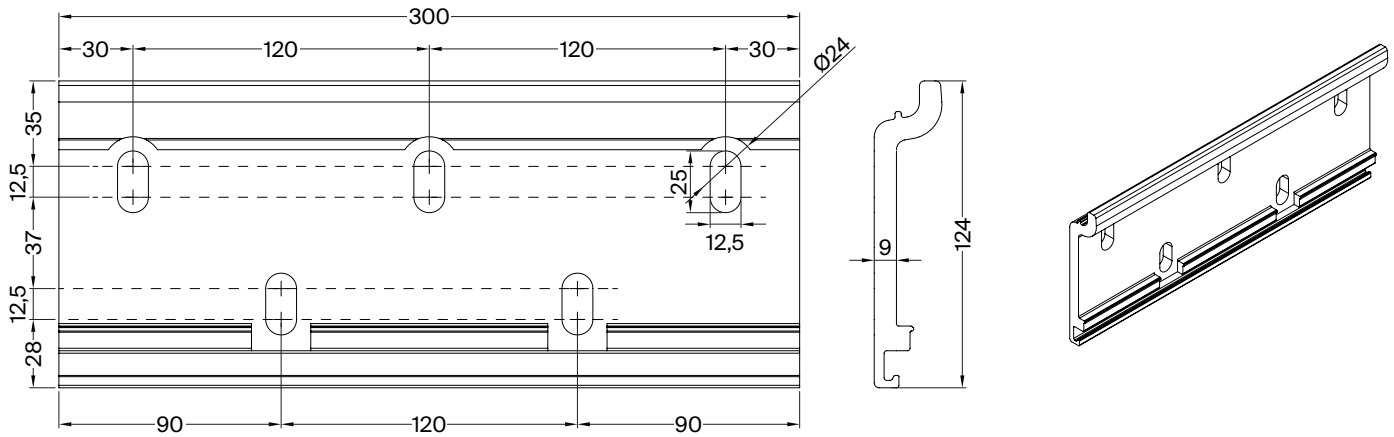
ARMS	CASSETTE	SIDE LIDS
Yes	Yes	No

## EXPLODED VIEW

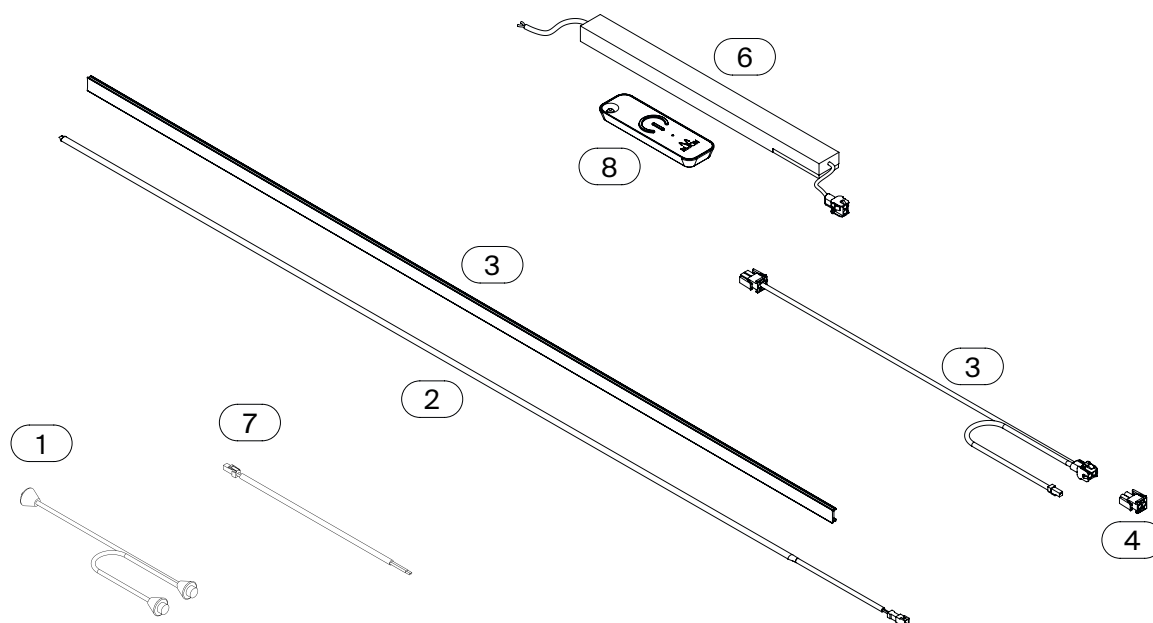


- 1 Reducer mechanism
- 2 Crack handle
- 3 Wall support
- 4 Ceiling support
- 5 Roll bar
- 6 Bushing with square axle of 13 x 35 mm
- 7 Bushing with opening of Ø14 mm
- 8/1 H30 plate with removable round axle
- 9 Arm support
- 10 End caps for terminal and box
- 11 Covers for terminal and box end caps
- 12 Extendable arms
- 13 Sliders for extendable arms
- 14 "POLARIS H" profile kit
- 14/1 Compensation profile
- 15 Lower hood
- 16 Front hood
- 17 PVC fabric-protection profile
- 18 Funnel
- 19 Central reinforcement for box
- 20 Box support
- 23 Arm-retraction sliders
- 24 Rubber

# SUPPORT DIMENSIONS



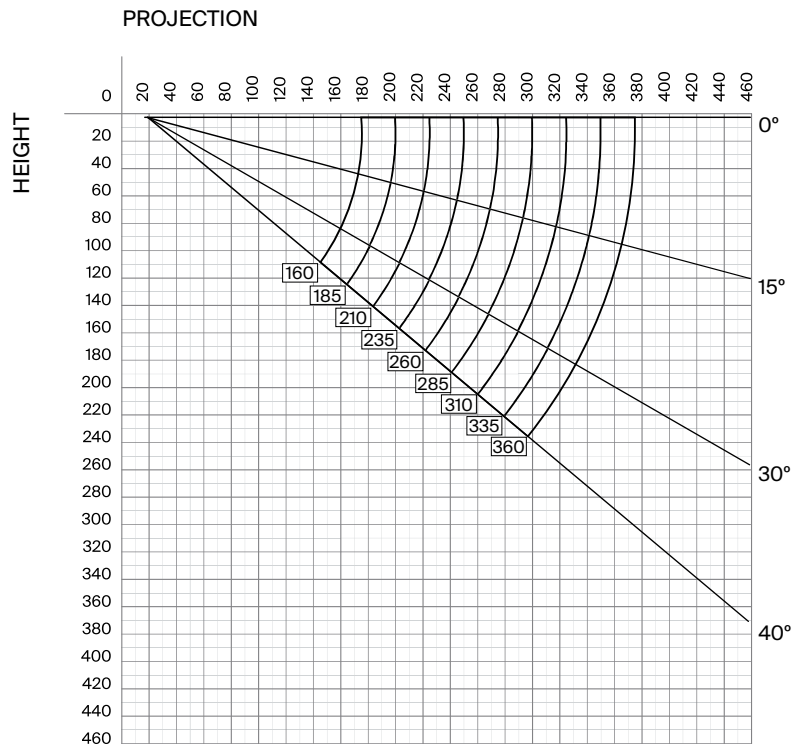
# EXPLODED VIEW LIGHTING KIT



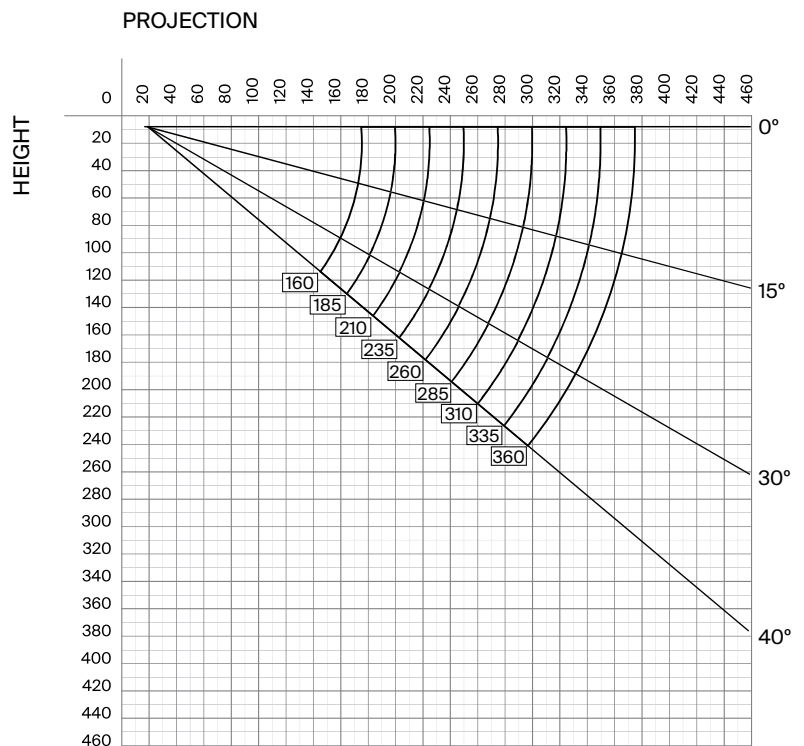
- 1 Cable
- 2 White LED strip IP65 - 700 lum/m - 8 W/m
- 3 Cable
- 4 Quick connection kit
- 5 Opaline diffuser
- 6 Integrated radio-controlled transformer
- 7 Cable with female connector
- 8 Remote control

# PROJECTION DIAGRAM


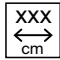
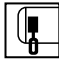
## WALL MOUNTING




## CEILING MOUNTING

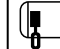


# MINIMUM SIZE

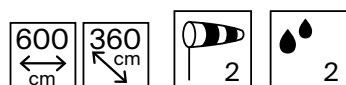
		160	185	210	235	260	285	310	335	360
		220	245	270	295	320	354	379	403	428

 Awning projection

 Awning width

 Internal reducer mechanism

# PRODUCT CLASSIFICATION



# PRECIPITATION CLASSIFICATION



CLASS	Average intensity in one hour (mm/h)	Environmental condition
1	≤ 2	Weak
2	> 2 y ≤ 15	<b>Moderate</b>

# WIND CLASSIFICATION



CLASS	Grade Beaufort	Wind speed		Pressure	Environmental condition
1	0	0 - 1 km/h	0.0 - 0.3 m/s	0.05 N/m <sup>2</sup>	Calm
	1	1 - 5 km/h	0.3 - 1.4 m/s	1.21 N/m <sup>2</sup>	Very light breeze
	2	6 - 11 km/h	1.7 - 3.1 m/s	5.84 N/m <sup>2</sup>	Light breeze
	3	12 - 19 km/h	3.4 - 5.3 m/s	17.41 N/m <sup>2</sup>	Gentle breeze
2	4	<b>20 - 28 km/h</b>	<b>5.6 - 7.8 m/s</b>	<b>37.81 N/m<sup>2</sup></b>	<b>Moderate wind</b>
3	5	29 - 38 km/h	8.1 - 10.6 m/s	69.64 N/m <sup>2</sup>	Fresh wind

# WIND CLASSIFICATION

CLASS	WIDTH (m)							
PROJECTION (m)	2,50	3,00	3,50	4,00	4,50	5,00	5,50	6,00
1,60	2	2	2	2	2	2	2	2
1,85	2	2	2	2	2	2	2	2
2,10		2	2	2	2	2	2	2
2,35		2	2	2	2	2	2	2
2,60			2	2	2	2	2	2
2,85				2	2	2	2	2
3,10				2	2	2	2	2
3,35					2	2	2	2
3,60					2	2	2	2

# MOTOR COMPATIBILITY

COMPATIBLE MOTOR	
Somfy Sunea io	Simu K7 Star

# MOTOR-TUBE (Ø) COMPATIBILITY

MOTOR TORQUE (Nm)	MOTOR (mm)	TUBE (mm)
≤50	Ø50	Ø70 y Ø80
>50	Ø60	Ø80

# MOTORISATION (Nm)

Motor Torque (Nm)	WIDTH (m)							
PROJECTION (m)	2,50	3,00	3,50	4,00	4,50	5,00	5,50	6,00
1,60	30	30	30	30	30	30	50	50
1,85	30	30	30	30	40	40	50	50
2,10		30	30	30	40	40	50	50
2,35		40	40	40	50	50	70	70
2,60			40	40	50	50	70	70
2,85			40	40	50	50	70	70
3,10				50	50	50	70	70
3,35				50	50	50	70	70
3,60					55	55	70	70

# ACRYLIC OR PLASTIC FABRIC CONFIGURATION

PROJECTION (m)	WIDTH (m)							
	2,50	3,00	3,50	4,00	4,50	5,00	5,50	6,00
1,60	2/2/80	2/2/80	2/2/80	2/2/80	2/3/80	2/3/80	2/3/80	2/3/80
1,85	2/2/80	2/2/80	2/2/80	2/2/80	2/3/80	2/3/80	2/3/80	2/3/80
2,10		2/2/80	2/2/80	2/2/80	2/3/80	2/3/80	2/3/80	2/3/80
2,35		2/2/80	2/2/80	2/2/80	2/3/80	2/3/80	2/3/80	2/3/80
2,60			2/2/80	2/2/80	2/3/80	2/3/80	2/3/80	2/3/80
2,85				2/3/80	2/3/80	2/3/80	2/3/80	2/3/80
3,10				2/3/80	2/3/80	2/3/80	2/3/80	2/3/80
3,35					2/3/80	2/3/80	2/3/80	2/3/80
3,60					2/3/80	2/3/80	2/3/80	2/3/80

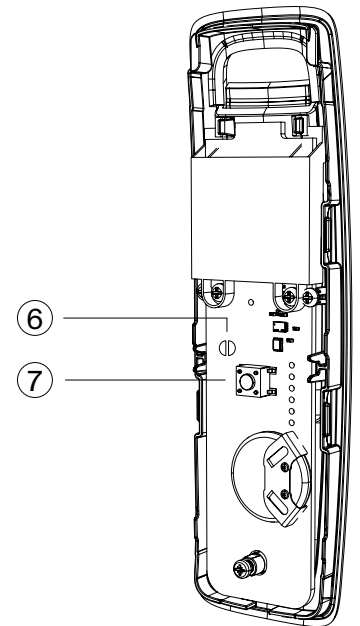
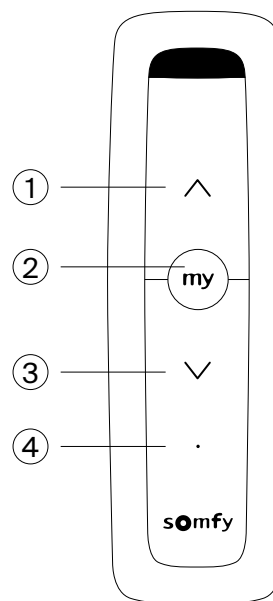
\* Arms / Supports / Ø Roller Tube

# EMITTERS

## SOMFY SITUO 1

Frequency	IO 868 MHz
Gutters	1
Power supply	CR2032 3V
Operating range	50 m (20 m interior)
Protection rating	IP30
Dimensions	139 × 42 × 16 mm

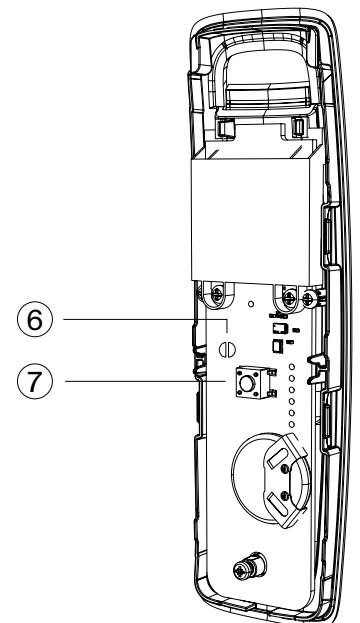
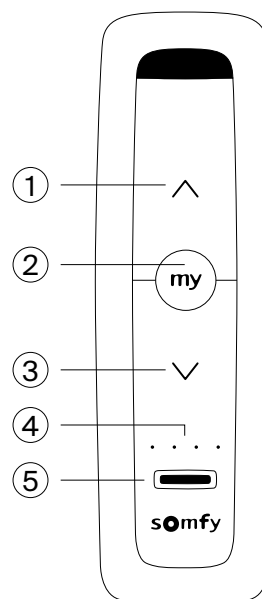
- ① Up/On/Open button
- ② STOP/my button
- ③ Down/Off/Close button
- ④ Button activation indicator light
- ⑥ PROG button
- ⑦ Specific autonomous mode selector



## SOMFY SITUO 5

Frequency	IO 868 MHz
Gutters	5
Power supply	CR2430 3V
Operating range	50 m (20 m interior)
Protection rating	IP30
Dimensions	139 × 42 × 16 mm

- ① Up/On/Open button
- ② STOP/my button
- ③ Down/Off/Close button
- ④ Button activation and group selection indicator light
- ⑤ Group selector
- ⑥ PROG button
- ⑦ Specific autonomous mode selector

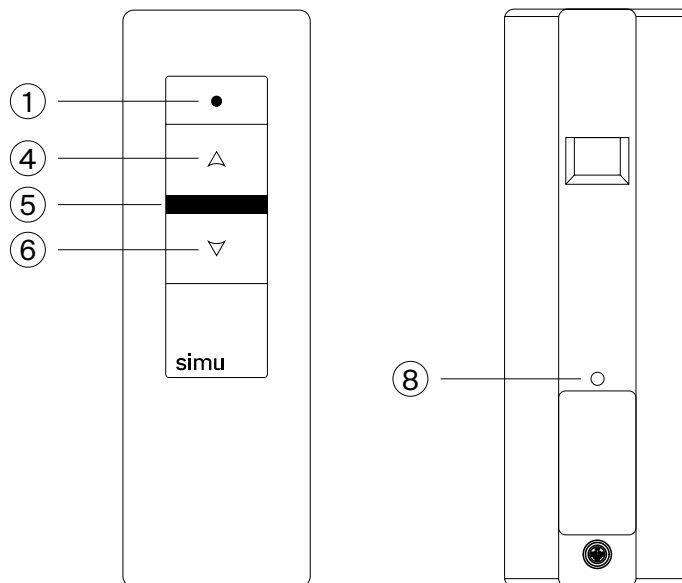


\* Somfy transmitters are exclusively compatible with Somfy motors, and Simu transmitters exclusively with Simu motors.

**SIMU MOBILE 1C**

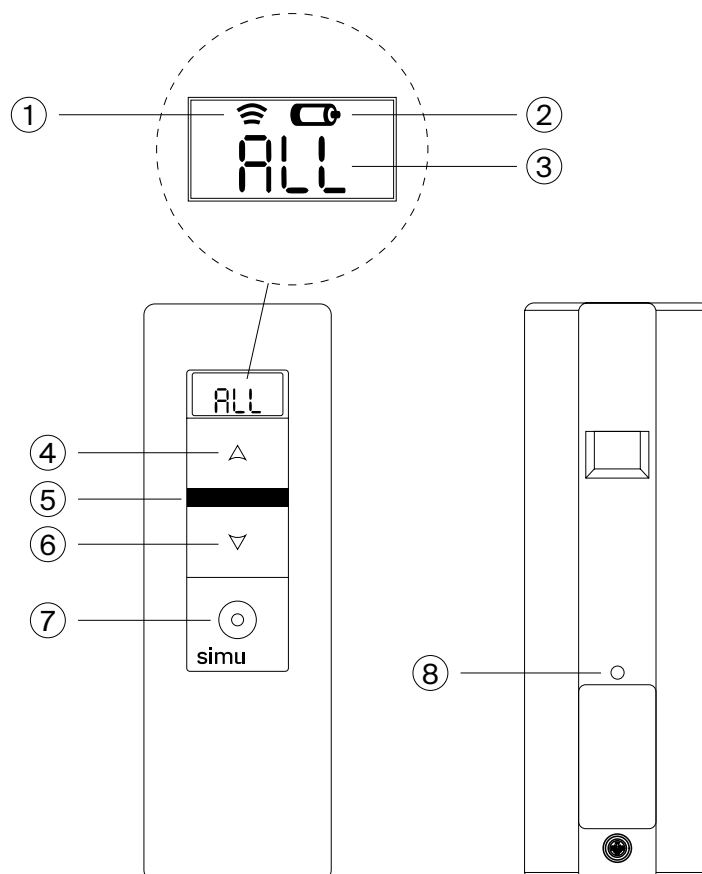
Frequency	433,42 MHz
Gutters	1
Power supply	CR2430 3V
Operating range	50 m (20 m interior)
Protection rating	IP30
Dimensions	125 x 40 x 15 mm

- ① Transmission indicator
- ④ UP control button
- ⑤ STOP / P.I. control button
- ⑥ DOWN control button
- ⑧ Programming button "PROG"

**SIMU MOBILE 5C**

Frequency	433,42 MHz
Gutters	5
Power supply	CR2430 3V
Operating range	50 m (20 m interior)
Protection rating	IP30
Dimensions	125 x 40 x 15 mm
Screen	Yes

- ① Transmission indicator
- ② Low battery indicator
- ③ Selected channel: 1, 2, 3, 4, 5 or All
- ④ UP control button
- ⑤ STOP / P.I. control button
- ⑥ DOWN control button
- ⑦ Selection button
- ⑧ Programming button "PROG"





We believe in the *elegance* of engineering.